

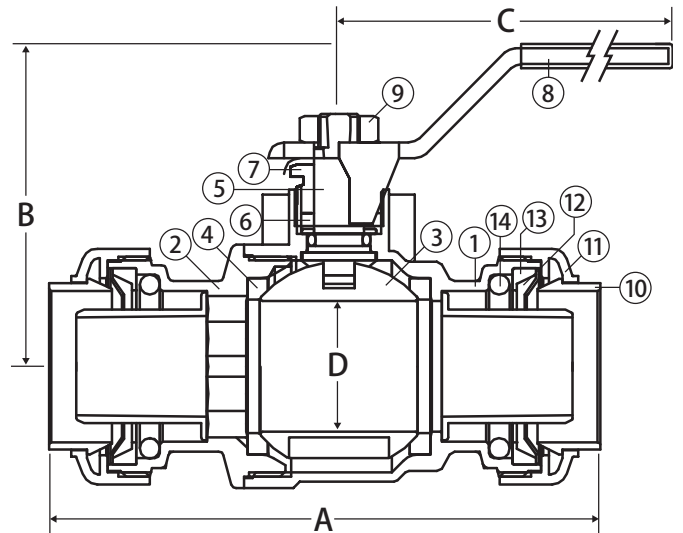
Lead Free Brass Ball Valve



2 Piece • Full Port • Push-Fit Connection • 200 WOG



JFPG-100



Features

- Gland follower and single o-ring stem design
- Easy to connect and fit in seconds
- Connects with copper, CPVC and PEX
- Includes two pipe reinforcers and release tool
- Wetted surfaces contain less than .25% lead content

Approvals

- IAPMO Certified
 - NSF 372
 - Uniform Plumbing Code (cUPC)
 - IAPMO/ANSI Z1157-2014
 - NSF/ANSI 14-2014
- Conforms to ASSE 1061

Pressure Rating

- Pressure rating: max. 200 PSI
- Temperature range: max. 200° F water service

Material Specifications

No.	Part	Materials
1	Body	Lead Free Brass - C46500
2	End Connection	Lead Free Brass - C46500
3	Ball	Chrome Plated Lead Free Brass - C46500
4	Seat (2)	PTFE
5	Stem	Lead Free Brass - C37700
6	Packing	PTFE
7	Packing Gland	Brass - C37700
8	Handle	Steel
9	Handle Nut	304 Stainless Steel
10	Push Ring	POM
11	Lock Ring	Lead Free Brass - C37700
12	Gripper Ring	Steel
13	Seat Ring	POM
14	O-ring	EPDM

Dimensions

Part No.	Size	A	B	C	D
100-103JFPG	1/2"	2.95	1.69	3.64	0.59
100-104JFPG	3/4"	3.48	1.83	3.64	0.75
100-105JFPG	1"	4.14	2.42	4.17	0.98