

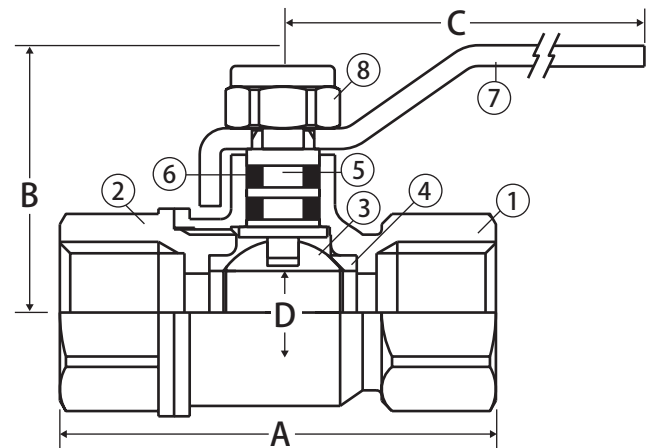
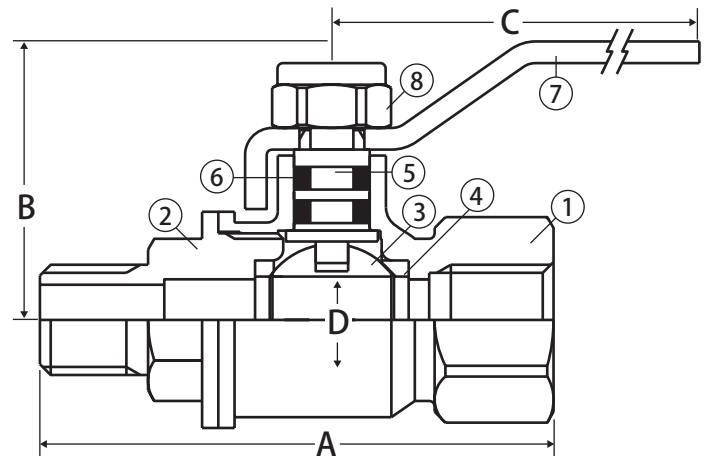
Brass Mini Ball Valve



2 Piece • Full Port • Threaded Connection • Mini Valves • 600 WOG



T-83C



Features

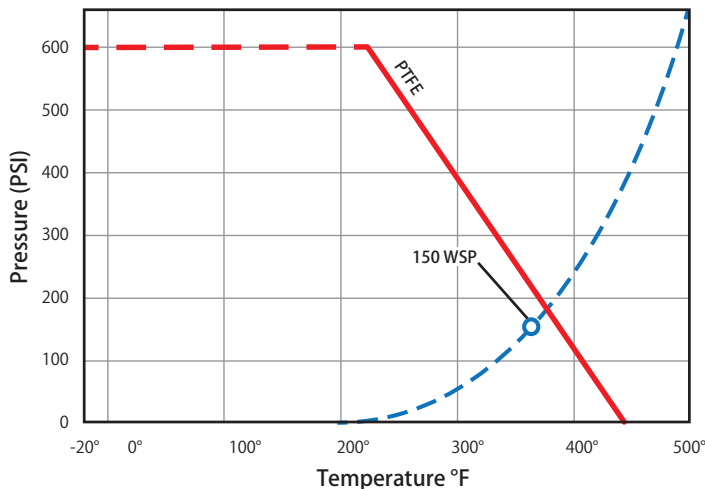
- Large raised wrench flats
- 2 Buna-N o-rings
- 100% leak tested

Approvals

- MSS SP-110
- ANSI B1.20.1

Valve Seat Rating

600 WOG - 150 WSP



Material Specifications

No.	Part	Materials
1	Body	Brass - C37700
2	End Connection	Brass - C37700
3	Ball	Chrome Plated Brass - C37700
4	Seat (2)	PTFE
5	Stem	Brass - C37700
6	Stem O-ring (2)	Buna-N
7	Handle*	Steel - Chrome Plated or Aluminum
8	Handle Nut / Screw*	Steel - Chrome Plated

*Material depends on handle selection

Dimensions

Part No.	Size	A	B	C	D
Lever Handle					
100-397	1/8" FIP x 1/8" MIP	1.90	1.07	1.77	0.28
100-398	1/4" FIP x 1/8" MIP	1.93	1.07	1.77	0.28
100-399	1/4" FIP x 1/4" MIP	2.01	1.07	1.77	0.28
100-400	1/4" FIP x 1/4" FIP	1.65	1.07	1.77	0.28
T-Handle					
100-397TH	1/8" FIP x 1/8" MIP	1.90	1.10	1.33	0.28
100-398TH	1/4" FIP x 1/8" MIP	1.93	1.10	1.33	0.28
100-399TH	1/4" FIP x 1/4" MIP	2.01	1.10	1.33	0.28
100-400TH	1/4" FIP x 1/4" FIP	1.65	1.10	1.33	0.28