

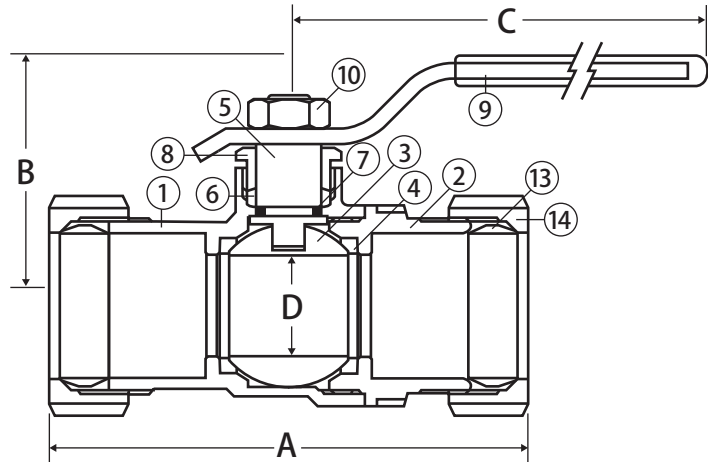
Lead Free Brass Ball Valve



**2 Piece • Full Port • Compression Connection • 600 WOG •
Stainless Steel Ball and Stem • with Drain**



C-402G



Material Specifications

No.	Part	Materials
1	Body	Lead Free Brass - C46400
2	End Connection	Lead Free Brass - C46400
3	Ball	304 Stainless Steel
4	Seat (2)	PTFE
5	Stem	304 Stainless Steel
6	Packing	PTFE
7	Stem O-ring	Buna-N
8	Packing Gland	Lead Free Brass - C46400
9	Handle	Steel - Chrome Plated
10	Handle Nut	Steel - Chrome Plated
11	Flat Washer*	Buna-N
12	Bleeder Cap*	Lead Free Brass - C46400
13	Compression Ring	Lead Free Brass - C46400
14	Compression Nut	Lead Free Brass - C46400

* Not shown in drawing

Dimensions

Part No.	Size	A	B	C	D
102-653G	1/2"	2.99	1.80	3.55	0.50
102-654G	3/4"	3.39	2.10	4.50	0.75
102-655G	1"	4.00	2.30	4.50	1.00

Features

- Gland follower and single o-ring stem design
- Blow-out proof stem
- Drain feature prevents freeze-up
- Eliminates seat damage during soldering
- Compression ends for easy maintenance
- 100% leak tested
- Wetted surfaces contain less than .25% lead content

Approvals

- Lead Free Compliant

Valve Seat Rating

600 WOG - 150 WSP

