

# Brass Ball Valve

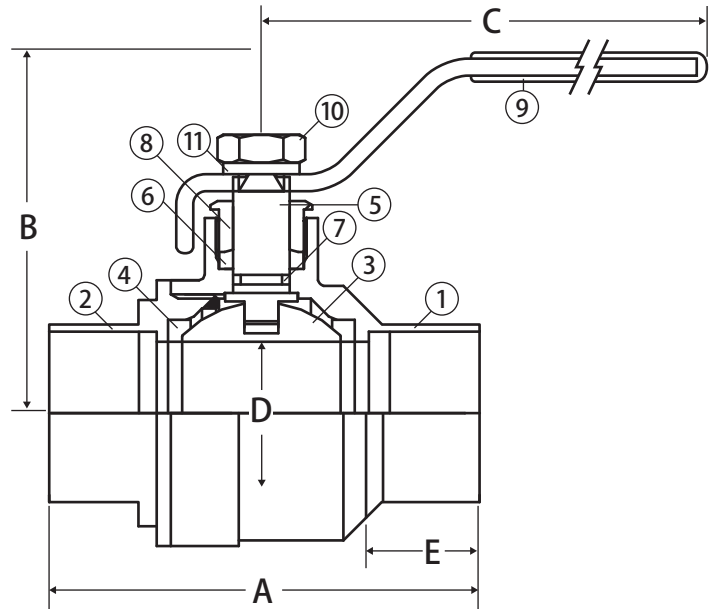


2 Piece • Full Port • Solder Connection • 600 WOG



JF-100S

CRN# OC16654.5



## Features

- Gland follower and single o-ring stem design
- Blow-out proof stem
- 100% leak tested

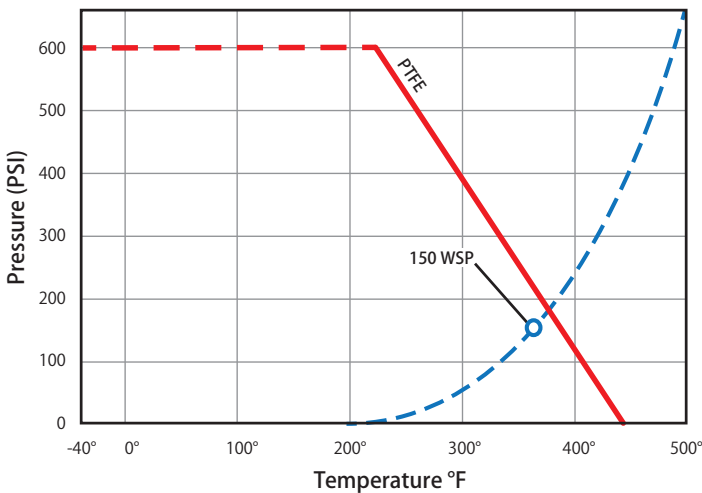
## Approvals



- UL Listed up to 175 PSI (1/2" - 2")
  - MHKZ - Manual valves
  - YRPV - Gas shut-off valves
- FM Approval (1/2" - 2")
- MSS SP-110
- ASME/ANSI B16.18

## Valve Seat Rating

600 WOG - 150 WSP



## Material Specifications

No.	Part	Materials
1	Body	Brass - C37700
2	End Connection	Brass - C37700
3	Ball	Chrome Plated Brass - C37700
4	Seat (2)	PTFE
5	Stem*	Brass - C37700
6	Packing	PTFE
7	Stem O-ring	Buna-N
8	Packing Gland	Brass - C37700
9	Handle	Steel - Chrome Plated
10	Handle Nut	Steel - Chrome Plated
11	Lock Washer	Steel - Chrome Plated

\* 3" and 4" have 304 stainless steel stem

## Dimensions

Part No.	Size	A	B	C	D	E
100-113	1/2"	2.17	1.81	3.35	0.59	0.50
100-114	3/4"	2.80	2.36	4.29	0.75	0.75
100-115	1"	3.27	2.52	4.29	0.98	0.86
100-116	1-1/4"	4.10	2.52	5.63	1.26	1.08
100-117	1-1/2"	4.33	2.72	5.63	1.57	0.98
100-118	2"	5.34	3.03	5.63	1.97	1.21
100-119	2-1/2"	6.39	4.25	7.76	2.52	1.48
100-120	3"	7.10	4.92	8.37	2.95	1.66
100-121	4"	9.56	5.85	9.25	3.90	2.22