

# Brass Ball Valve

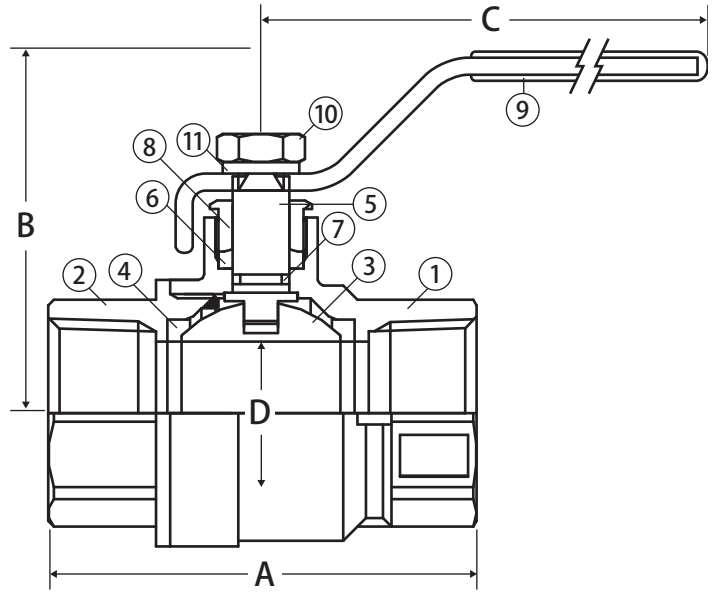


2 Piece • Full Port • Threaded Connection • 600 WOG



JF-100T

CRN# OC16654.5



## Features

- Gland follower and single o-ring stem design
- Blow-out proof stem
- 100% leak tested

## Approvals



- UL Listed up to 175 PSI (1/4" - 2")
  - MHKZ - Manual valves
  - YRPV - Gas shut-off valves
- CSA Certified
  - CGA 3.16 (125 PSIG)
  - ANSI Z21.15 (.5 PSIG)
  - CGA CR91 (5 PSIG)
  - ASME B16.44 (5 PSIG)
  - ASME B16.33 (125 PSIG) (1/2" - 2")
  - ASME B16.38 (125 PSIG) (2-1/2" - 4")
- FM Approval (1/4" - 2")
- MSS SP-110
- ANSI B1.20.1

## Material Specifications

No.	Part	Materials
1	Body	Brass - C37700
2	End Connection	Brass - C37700
3	Ball	Chrome Plated Brass - C37700
4	Seat (2)	PTFE
5	Stem*	Brass - C37700
6	Packing	PTFE
7	Stem O-ring	Buna-N
8	Packing Gland	Brass - C37700
9	Handle	Steel - Chrome Plated
10	Handle Nut	Steel - Chrome Plated
11	Lock Washer	Steel - Chrome Plated

\* 3" and 4" have 304 stainless steel stem

## Dimensions

Part No.	Size	A	B	C	D
100-101	1/4"	1.73	1.69	3.35	0.39
100-102	3/8"	1.73	1.69	3.35	0.39
100-103	1/2"	2.28	1.81	3.35	0.59
100-104	3/4"	2.52	2.36	4.29	0.75
100-105	1"	2.97	2.52	4.29	0.98
100-106	1-1/4"	3.44	2.52	5.63	1.26
100-107	1-1/2"	3.88	2.72	5.63	1.57
100-108	2"	4.29	3.03	5.63	1.97
100-109	2-1/2"	5.59	4.25	7.76	2.52
100-110	3"	6.34	4.92	8.37	2.95
100-111	4"	7.83	5.85	9.25	3.90

## Valve Seat Rating

600 WOG - 150 WSP

