

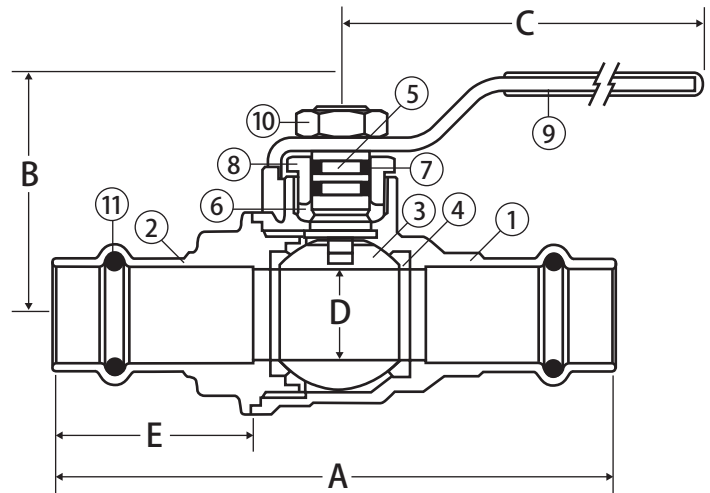
# Lead Free Brass Ball Valve



2 Piece • Full Port • Press Connection • 250 WOG



JP-100G\*



## Features

- Dezincification resistant brass alloy
- Triple sealing stem with 2 Viton® o-rings and Teflon® seal
- Blow-out proof stem
- 100% leak tested
- 100% Made in Italy
- Leakproof stem - Lifetime Warranty
- Wetted surfaces contain less than .25% lead content
- Accessories available

## Approvals

- NSF 372
- NSF 61-8
- NSF 61 - Annex G
- Conforms to IAPMO PS 117

## Pressure/Temperature Rating

- 250 WOG
- Max. 250° F

## Material Specifications

No.	Part	Materials
1	Body	Lead Free Brass - CW511L
2	End Connection	Lead Free Brass - CW511L
3	Ball	T.E.A. Coated Brass - CW510L
4	Seat (2)	Hostaflo® TFM 1600
5	Stem	Lead Free Brass - CW510L
6	Packing	Hostaflo® TFM 1600
7	Stem O-ring (2)	Viton®
8	Packing Gland	Brass - CW614N
9	Handle	Steel - Geomet® Plated
10	Handle Nut	Steel - Geomet® Plated
11	O-ring (2)	EPDM

## Dimensions

Part No.	Size	A	B	C	D	E	Cv
100-203G	1/2"	3.54	1.53	2.95	0.59	1.24	16.82
100-204G	3/4"	3.84	1.95	3.74	0.79	1.28	34.80
100-205G	1"	4.31	2.40	4.75	0.97	1.38	52.20
100-206G	1-1/4"	4.80	2.59	4.75	1.23	1.30	112.52
100-207G	1-1/2"	5.61	3.22	6.00	1.49	1.50	174.00
100-208G	2"	7.16	3.40	6.00	1.99	2.01	255.20

\*Previously listed as JP-100G PxP