

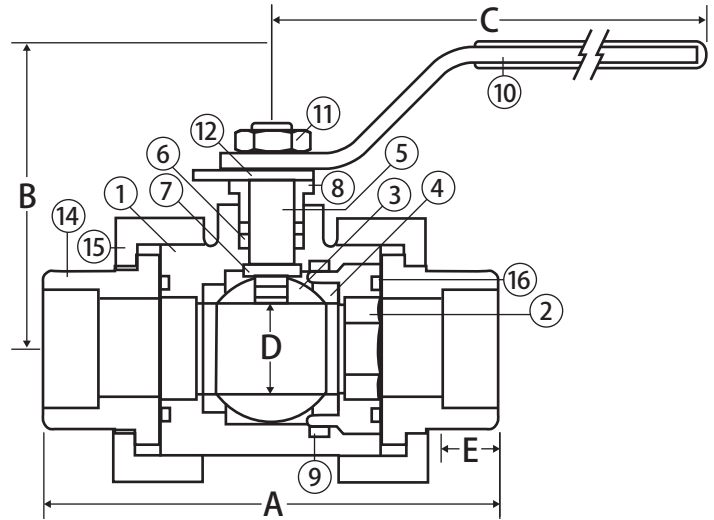
Stainless Steel Ball Valve



**5 Piece • Full Port • Double Union End • Socket Weld •
3000 WOG**



S-SS-2002N-DUE



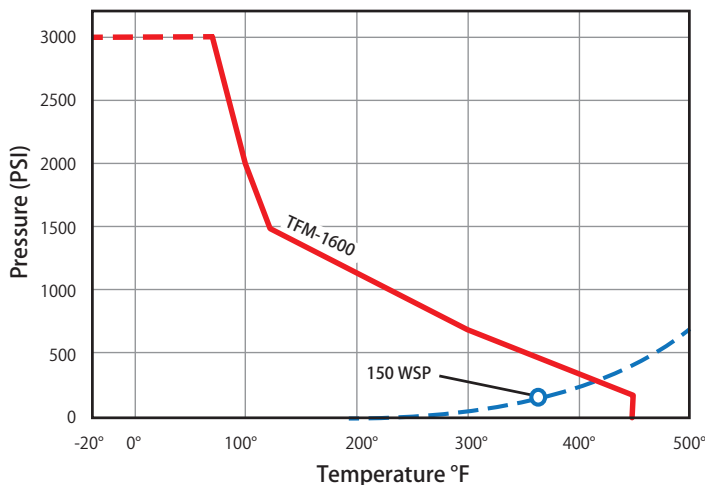
Features

- Solid ball construction
- 5 piece construction
- Mounting pad
- Reversible handle
- Adjustable stem packing with blow out proof stem
- 29 in-Hg vacuum rating
- 100% leak tested
- Wetted surfaces contain less than .25% lead content
- Repair kits available
- Locking handle available

Approvals

- API-598
- ANSI B16.11
- MSS SP-110
- NACE Certified

Valve Seat Rating 3000 WOG - 150 WSP



Material Specifications

No.	Part	Materials
1	Body	CF8M Stainless Steel
2	Body Insert	CF8M Stainless Steel
3	Ball	CF8M Stainless Steel
4	Seat (2) [†]	Hostaflon® TFM 1600
5	Stem	316 Stainless Steel
6	Packing (2) [†]	RPTFE
7	Stem Seal [†]	Hostaflon® TFM 1600
8	Packing Gland	304 Stainless Steel
9	Body Seal (1) [†]	Hostaflon® TFM 1600
10	Handle	304 Stainless Steel
11	Handle Nut	304 Stainless Steel
12	Stop Plate	304 Stainless Steel
13	Lock Pin*	304 Stainless Steel
14	Tail Piece (2)	CF8M Stainless Steel
15	Union Nut (2)	CF8M Stainless Steel
16	Union Seal (2) [†]	Hostaflon® TFM 1600

* Not shown in drawing
† Included in repair kit

Dimensions

Part No.	Size	A	B	C	D	E	Torque
101-981	1/4"	3.58	2.40	4.17	0.44	0.41	35
101-982	3/8"	3.58	2.40	4.17	0.44	0.41	35
101-983	1/2"	3.58	2.40	4.17	0.62	0.44	65
101-984	3/4"	3.74	2.79	6.97	0.81	0.56	100
101-985	1"	4.29	2.96	6.97	1.00	0.72	120
101-986	1-1/4"	4.61	3.38	9.84	1.25	0.72	210
101-987	1-1/2"	5.24	3.67	9.84	1.50	0.72	300
101-988	2"	5.71	4.52	12.24	1.97	0.84	400