

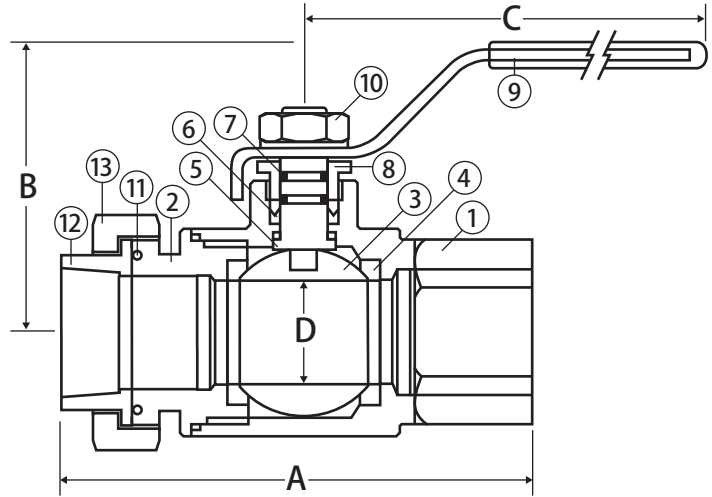
# Lead Free Brass Ball Valve



**2 Piece • Full Port • Single Union End • Threaded Connection • 500 WOG**



**T-100-UEG**



### Features

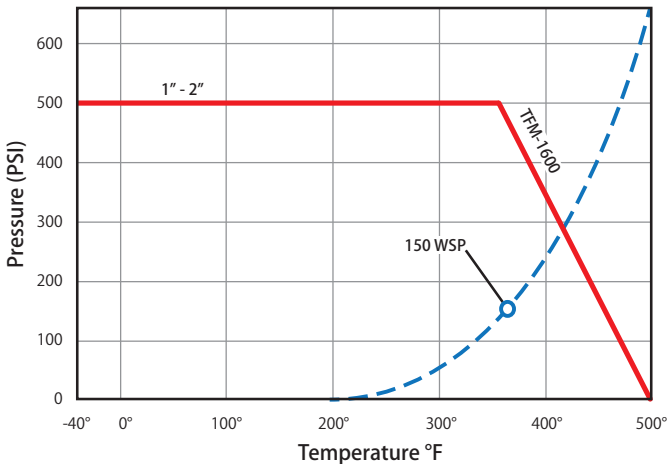
- Triple sealing stem with 2 Viton® o-rings and Hostaflo® seal
- Blow-out proof stem
- FIP x union FIP
- 100% leak tested
- 100% Made in Italy
- Leakproof stem - Lifetime Warranty
- 29 in-Hg vacuum rating
- Wetted surfaces contain less than .25% lead content
- Accessories available

### Approvals

- NSF 372
- NSF 61-8
- MSS SP-110
- ANSI B1.20.1

### Valve Seat Rating

1" - 2" 500 WOG - 150 WSP



### Material Specifications

No.	Part	Materials
1	Body	Lead Free Brass - CW511L
2	End Connection	Lead Free Brass - CW511L
3	Ball	T.E.A. Coated Brass - CW510L
4	Seat (2)	Hostaflo® TFM 1600
5	Stem	Lead Free Brass - CW510L
6	Packing	Hostaflo® TFM 1600
7	Stem O-ring (2)	Viton®
8	Packing Gland	Brass - CW614N
9	Handle	Steel - Geomet® Plated
10	Handle Nut	Steel - Geomet® Plated
11	Union O-ring	Viton®
12	Tail Piece	Lead Free Brass - CW511L
13	Union Nut	Lead Free Brass - CW511L

### Dimensions

Part No.	Size	A	B	C	D	Cv
160-106G	1-1/4"	4.86	2.59	4.75	1.23	112.52
160-107G	1-1/2"	5.38	3.22	6.00	1.49	174.00
160-108G	2"	6.11	3.50	6.00	1.99	255.20